



4K12xAIT AI Tracking PTZ Camera

Information and communication high-definition camera series with advanced ISP processing technology and algorithms presents clear and lifelike ultra-high-definition video, vividly showing people's expressions and movements, and can provide image quality with superb clarity and resolution. Support H.265 /H.264 encoding, which makes the picture smoother and clearer under low bandwidth.

Key Features:

- ✓ **4K Ultra-High-Definition** using 8.5 megapixel high quality SONY CMOS Image sensor with a maximum resolution of 4K (3840 × 2160), and a 4K output frame rate of up to 30 frames per second.
- ✓ **12x Optical Zoom Lens** for crystal clear images
- ✓ **Auto-Focus Technology** enables the lens to quickly auto-focus with accuracy and stability.
- ✓ **AI Tracking** allows users to choose real-time tracking for up to 7 meters and area tracking in 4 areas according to the usage environment.
- ✓ **Built-In Gravity Sensor** supports automatic flip function of the gimbal, convenient for engineering installation.
- ✓ **Digital Noise Reduction** effectively guarantees low noise with an ultra-high signal-to-noise ratio of the camera video. Adopt advanced 2D and 3D noise reduction technology to further reduce noise while ensuring image clarity.
- ✓ **Super Quiet Pan/Tilt** adopts high-precision stepping motor and precision motor drive controller to ensure that the pan/tilt runs smoothly at low speed and has no noise.
- ✓ **Low-Power Sleep Function** supports low-power sleep & wake-up, with power consumption less than 400mW during sleep.
- ✓ **Multi-Preset Position** supports up to 255 preset positions, with 10 set by remote control.
- ✓ **Multiple Remote Controls** allows users the option of infrared remote control or wireless remote control according to the environmental conditions used. 2.4G wireless remote control is not affected by angle, distance, or infrared interference. Supports the transparent transmission function of the remote control signal, which is convenient for the use of back-end equipment.



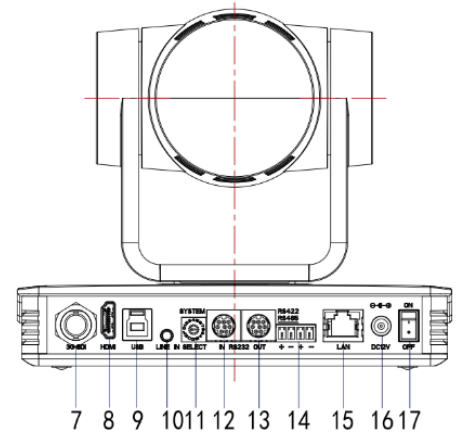
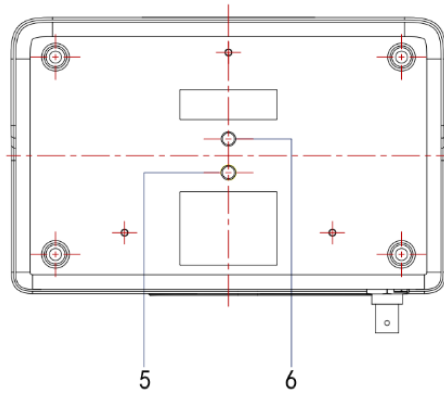
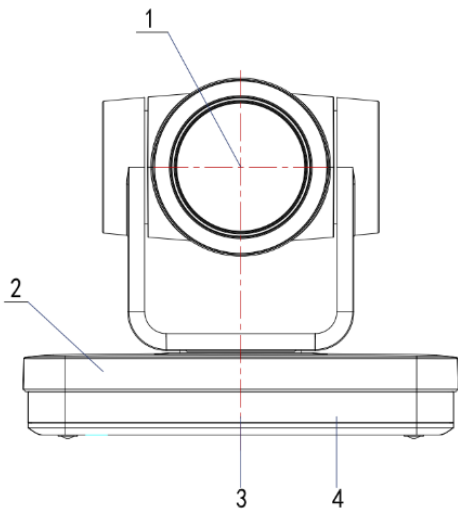
4KP12xAIT Specifications

Parameters	
Image Sensor	1/2.8 inch high quality SONY CMOS sensor
Effective Pixels	851M, 16:9
Video Signal	HDMI: 4KP30, 4KP25, 1080P30, 1080P25, 1080P29.97; Video formats supported by SDI output include 1080P30, 1080P25, 1080P29.97; USB3.0 output supports video formats including Main stream: YUY2/NV12: 1920×1080/1280×720/1024×576/800×600/800×448/640×360/480×270/320×180@10/5fps; MJPG/H264: 3840×2160/1920×1080/1600×896/1280×720/1024×576/960×540/800×600/800×448/720×576/720×480/640×360/640×480/480×270/352×288/320×240@30/25/20/15/10/5fps; Secondary stream: YUY2/NV12: 1280×720/1024×576/800×600/800×448/640×360/640×480/480×270/320×180@30/25/20/15/10/5fps; MJPG/H264: 1920×1080/1600×896/1280×720/1024×576/960×540/800×600/800×448/720×576/720×480/640×360/640×480/480×270/352×288/320×240@30/25/20/15/10/5fps;
Lens Optical Zoom	12x optical zoom
Angle of View	Horizontal: 6.5° (narrow angle) ~ 70.9° (wide angle)
Aperture Factor	F1.6 ~ F2.8±5%
Digital Zoom	15x
Minimum Illumination	0.5Lux (F1.8, AGC ON)
Digital Noise Reduction	2D & 3D digital noise reduction
White Balance	Auto/Manual/One-Key White Balance/Designated Color Temperature
Focus Mode	Auto/Manual/One key focus
Exposure Mode	Auto, Manual, Shutter Priority, Aperture Priority, Brightness Priority
Iris	F1.8 ~ F3.6, CLOSE
Shutter Speed	1/25 ~ 1/20000
BLC	Switch
Dynamic Range	Off, 1 to 8
Video Adjustment	Brightness, Hue, Saturation, Contrast, Sharpness, Black and White Mode, Gamma Curve
SNR	>50dB
Back Panel	HDMI, SDI, LAN (supports PoE), USB3.0, A-IN, RS232-IN, RS232-OUT, RS422 (compatible with RS485), 12VDC Power Supply, DIP Switch, Power Switch
Video Output	HDMI, SDI, LAN, USB3.0
Video Compression Format	LAN: H.264, H.265 USB 3.0: MJPG, H264, YUY2, NV12
Audio Input	Dual channel 3.5mm linear input, REF Audio In

Interface	
Audio Output	HDMI, LAN, USB3.0
Audio Compression Format	AAC, MP3, G.711A
LAN Port	10M/100M/1000M adaptive Ethernet port, supports PoE power supply, supports audio and video output
Network Protocols	RTSP, RTMP, ONVIF, GB/T28181, VISCA OVER IP, IP VISCA, RTMPS, SRT, supports remote upgrade, remote restart, remote reset
Control	RS232-IN, RS232-OUT, RS422 (compatible with RS485)
Serial Port Communication Protocols	VISCA / Pelco-D / Pelco-P Baud Rate: 115200 / 38400 / 9600 / 4800 / 2400
USB Communication Protocols	UVC (video communication protocol) UAC (audio communication protocol)
Power Supply	HEC3800 power socket (DC12V) or PoE 802.3af
Power Adapter	Input: AC110V~AC220V Output: DC12V/2.5A
Input Voltage	DC12V±10%
Input Current	<1A
Power Consumption	<12W
PTZ	
Pan Range	-170°~+170°
Tilt Range	-30°~+30°
Pan Speed	0.1°~60°/ s
Tilt Speed	0.1°~45°/s
Preset Speed	Pan: 60°/s Tilt: 45°/s
Preset Quantity	255 preset positions (10 remote controls)
AI Function	
Real-Time Tracking	Built-in high-speed processor and face detection algorithm, it can automatically detect participants and provide optimal framing and tracking with a distance up to 7 meters, at a speed of 4 mph.
Zone Tracking	Supports up to 4 set tracking areas within the -170°~+170° horizontal and -30°~+90° vertical range.
Select Tracking Target	Supports selection and framing of tracking target using a mouse on the camera web page.

General	
Storage Temperature	14°F ~ 158°F / -10°C ~ 70°C
Storage Humidity	20% ~ 80%
Working Temperature	14°F ~ 122°F / -10°C ~ 50°C
Working Humidity	20% ~ 80%
Dimension (LxWxD)	7.13in x 4.53in x 5.87in / 181mm x 115mm x 149mm
Net Weight	2.65 lbs / 1.2 kg
Environment	Indoors
Standard Accessory	Power Adapter, RS232 Control Cable, USB3.0 Cable, Remote Control
Optional Accessory	Wall Mounting Bracket Included





- | | | |
|---|-----------------------------------|---------------------------------|
| 1. Lens | 6. Hole for Installation Fixation | 12. RS232 Input |
| 2. Base | 7. SDI Output | 13. RS232 Output |
| 3. Receiving Light | 8. HDMI Output | 14. RS422 Compatible with RS485 |
| 4. Reserved Hole for Bottom Dial Switch | 9. USB 3.0 | 15. LAN Jack |
| 5. Screw Hole for Tripod | 10. Audio in Jack (LINE-IN) | 16. Power in Socket |
| | 11. Rotary Dip Switch | 17. Power Switch |

